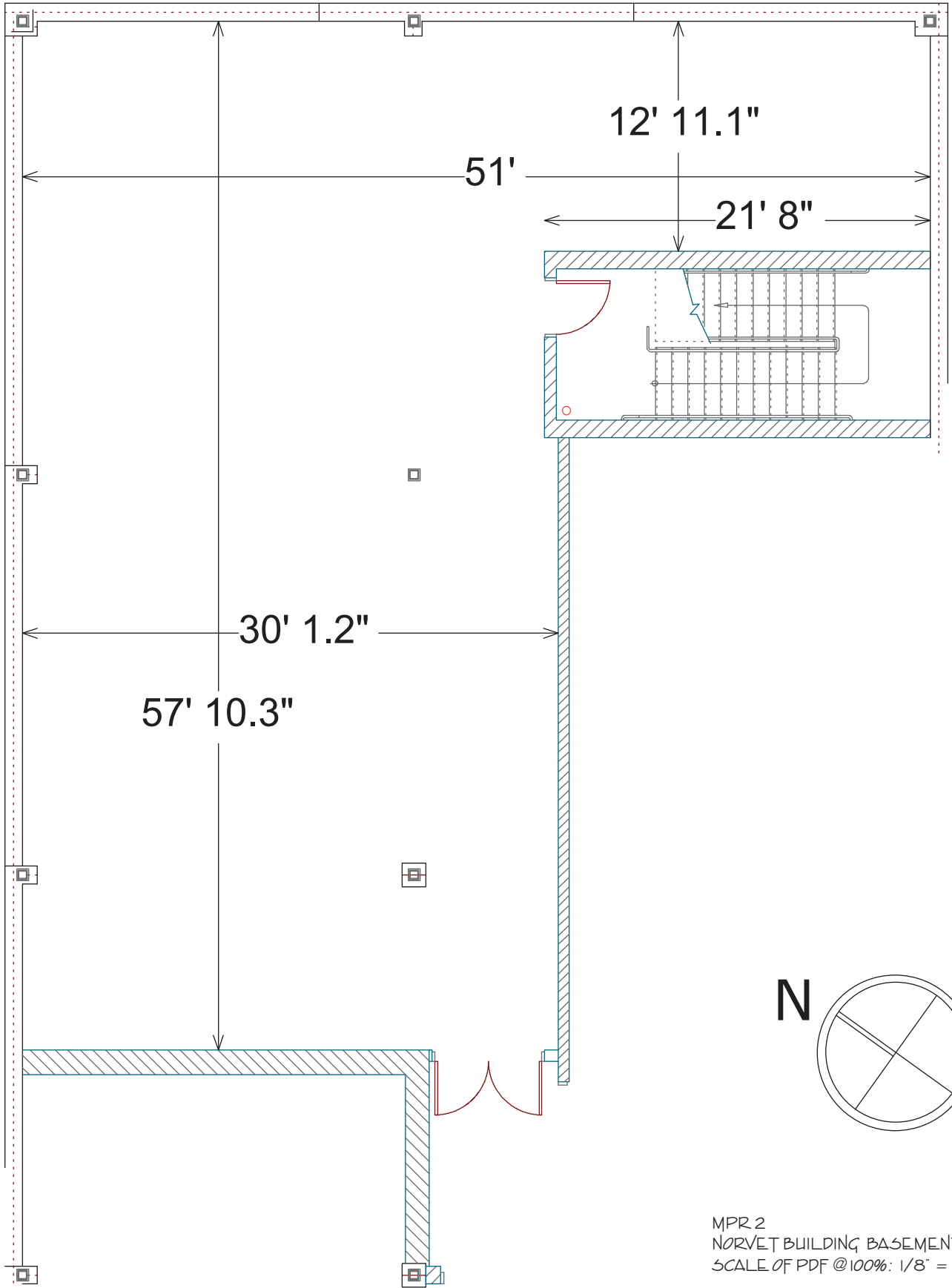


MPR1
NORVET BUILDING BASEMENT
SCALE OF PDF @100%: 1/16" = 1'





MPR 2
NORVET BUILDING BASEMENT
SCALE OF PDF @ 100%: 1/8" = 1'

