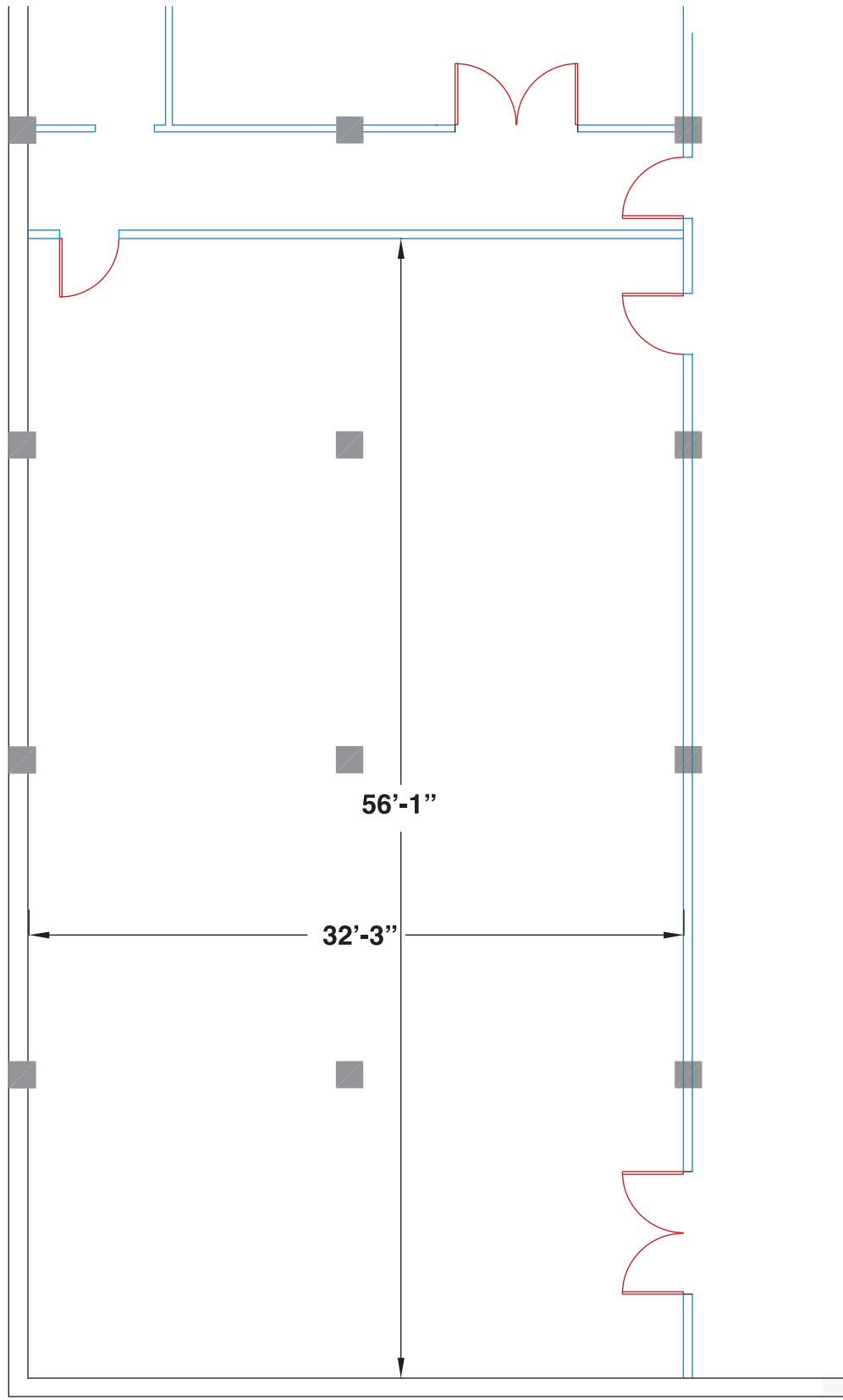


MPR 4
STAGE 20 BASEMENT
SCALE OF PDF @ 100%: 1/8" = 1'





MPR 5
STAGE 20 BASEMENT
SCALE OF PDF @ 100%: 1/8" = 1'

